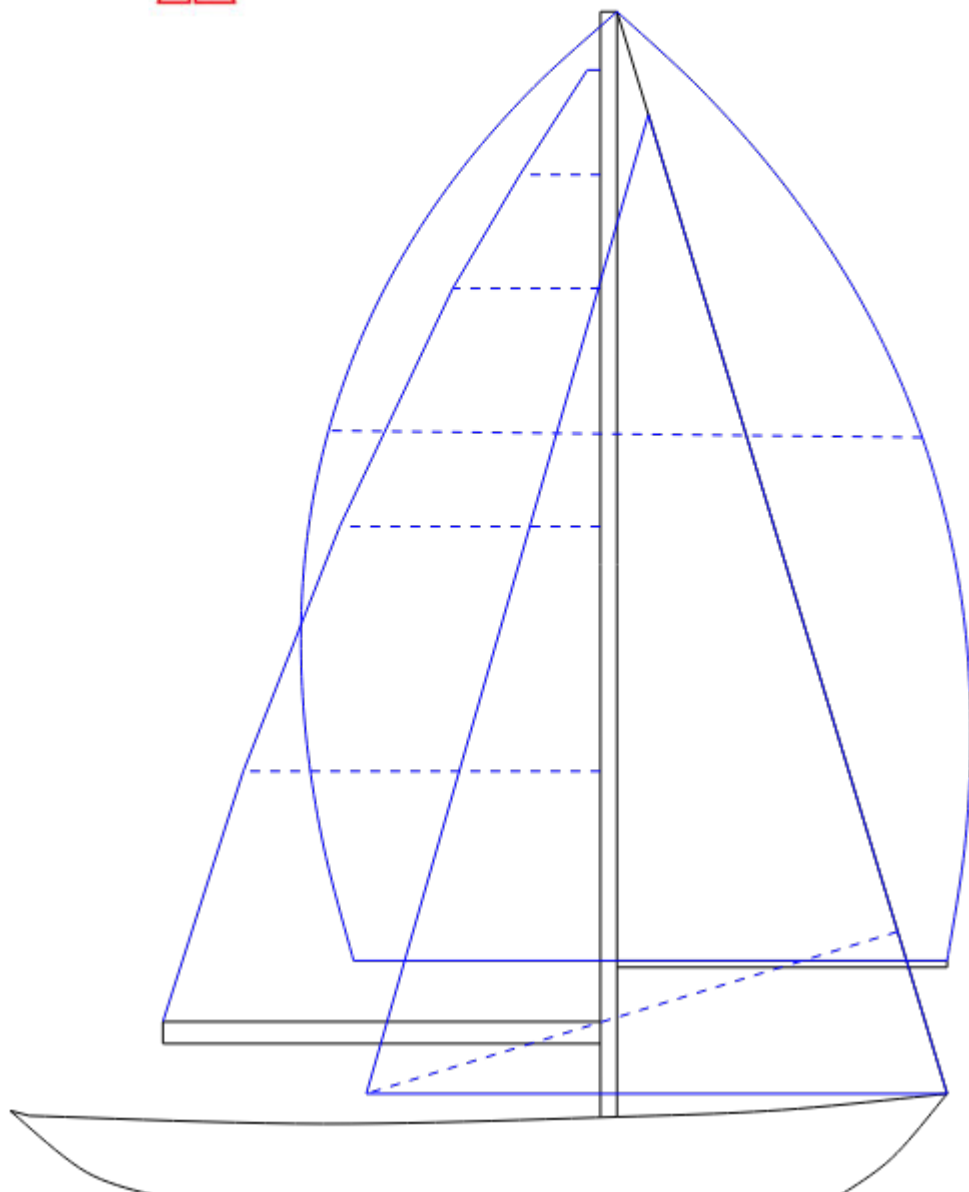


**2021 ORR-Ez Cert**

Yacht Name:	Alberg 30
Class:	Alberg 30
Sail Number:	Template
Builder:	Alberg 30
Owner(s):	Joe Sailor
Configuration:	One Design
Certificate #:	EZ11136-OD
Issue Date:	2021-01-22
Valid Year:	2021
Offsets_file:	us30250.off
Cert Group:	ORR-Ez
Rig Type:	Sloop
Forestay:	Masthead
Keel Type:	Fixed
Prop Type:	Fixed
Prop Install:	In Aperture
Prop Blades:	2
Prop Diameter:	0 ft
Spinnaker:	Symmetrical flown with spinnaker pole
Genoa/Jib Leech:	No Roach - Leech is straight
Large Roach	No
Headsail:	No
Jib Furler:	No
Main Roller	No
Furling:	No
LOA:	30.27 ft
LWL:	21.70 ft
Rated Length:	23.07 ft
Beam Max:	8.69 ft
Draft:	4.52 ft
Disp Empty:	0 lbs
Disp Sailing:	0 lbs
Crew:	1040 lbs
Water Ballast:	0 lbs
Wetted Area:	217.3 ft <sup>2</sup>
LPS:	128.2 deg.
RM20:	387.9 ft·lbs
Stab Index:	133 deg.
Upwind SA/D:	18.92
D/Length:	378.5
Dnwind SA/D:	27.79



Rig Dimensions	Jib/Genoa Meas.	Symmetric Spin. Meas.	Mainsail Meas.
IG: 36.00 ft	LP: 18.09 ft	SL: 35.50 ft	HB: 0.43 ft
ISP: 36.00 ft	LPG %: 168.3 %	SMW: 19.33 ft	MGT: 2.62 ft
J: 10.75 ft	J Luff: 34.00 ft	SF: 19.33 ft	MGU: 4.81 ft
P: 31.00 ft	J Leech: 0 ft	Area: 571.9 ft <sup>2</sup>	MGM: 8.49 ft
E: 14.25 ft	Area: 307.5 ft <sup>2</sup>		MGL: 11.63 ft
SPL: 10.75 ft			Area: 256.3 ft <sup>2</sup>

Standard Ratings																
	TOT (Spin)				TOT (Non-Spin)				TOD (Spin)				TOD (Non-Spin)			
	V.Light	Light	Medium	Heavy	V.Light	Light	Medium	Heavy	V.Light	Light	Medium	Heavy	V.Light	Light	Medium	Heavy
RANDOM LEG	0.308	0.496	0.675	0.790	0.296	0.480	0.658	0.778	1,571.4	976.3	717.5	613.0	1,633.6	1,009.4	735.4	622.6
Closed Course	TOT (Spin)				TOT (Non-Spin)				TOD (Spin)				TOD (Non-Spin)			
W50/L5	0.292	0.481	0.676	0.807	0.288	0.477	0.672	0.804	2,011.1	1,222.2	869.9	728.6	2,040.0	1,233.4	874.6	731.2
W60/L4	0.295	0.481	0.667	0.786	0.293	0.479	0.665	0.785	2,030.4	1,245.9	899.2	762.6	2,050.2	1,252.9	901.7	763.6
Point to Point	TOT (Spin)				TOT (Non-Spin)				TOD (Spin)				TOD (Non-Spin)			
MOSTLY WW	0.312	0.492	0.649	0.737	0.311	0.491	0.648	0.736	1,934.6	1,227.6	930.1	819.3	1,940.2	1,230.1	931.6	819.6
MOSTLY LW	0.300	0.496	0.695	0.845	0.286	0.477	0.678	0.827	1,593.9	965.5	688.8	566.5	1,675.6	1,004.8	705.9	578.8
Benchmark Ratings								Custom Ratings								
	TOT (Spin)		TOT (Non-Spin)		TOD (Spin)		TOD (Non-Spin)						TOT (Spin)			
GPH	0.668				802.2				Bayview MAC Shore				0.663			
IR#	0.677		0.670		794.7		802.1		So Cal Offshore				0.683			
									So Cal Offshore Offwind				0.681			